

2-way flow control valve, sea water resistant Type 2FRM ...J

Nominal sizes 10 and 16
Series 3X

Features of the sea water resistant version

When compared to the standard version the following modifications have been carried out:

- The external metal components have been zinc galvanised or the external components of the pressure compensator, stroke limiter and check valve are made from a non-rusting material.
- Sea water resistance is identified by the code „J” in the ordering code.

Note:

Valve fixing screws must be ordered separately.

Nominal size 10: 4 off M8 x 50, DIN 912-10.9 A3C or NEL¹⁾; $M_A = 37$ Nm; Material number: **00012009**.

Nominal size 16: 4 off M10 x 80, DIN 912-10.9 A3C or NEL¹⁾; $M_A = 75$ Nm; Material number: **00024508**.

¹⁾ The code „NEL” stands for „non-electrolytically applied zinc coatings” which contain a lubrication additive for the reduction of friction in accordance with ISO/WD 10683. Colour: silver.

Further information can be obtained from the standard documentaion.

Ordering details

2FR	M	-3X/		J	V	*												
2-way flow control valve	= M	= 10 = 16	= 3X (30 to 39: unchanged installation and connection dimensions)	J =	V =	* =												
Mechanical actuation																		
Nominal size 10																		
Nominal size 16																		
Series 30 to 39																		
<p>Flow range A → B</p> <table border="0"> <tr> <td>NS 10; linear</td> <td>NS 16; linear</td> </tr> <tr> <td>Up to 10 L/min = 5L</td> <td>Up to 50 L/min = 50L</td> </tr> <tr> <td>Up to 10 L/min = 10L</td> <td>Up to 60 L/min = 60L</td> </tr> <tr> <td>Up to 16 L/min = 16L</td> <td>Up to 80 L/min = 80L</td> </tr> <tr> <td>Up to 25 L/min = 25L</td> <td>Up to 100 L/min = 100L</td> </tr> <tr> <td>Up to 35 L/min = 35L</td> <td>Up to 160 L/min = 160L</td> </tr> </table>							NS 10; linear	NS 16; linear	Up to 10 L/min = 5L	Up to 50 L/min = 50L	Up to 10 L/min = 10L	Up to 60 L/min = 60L	Up to 16 L/min = 16L	Up to 80 L/min = 80L	Up to 25 L/min = 25L	Up to 100 L/min = 100L	Up to 35 L/min = 35L	Up to 160 L/min = 160L
NS 10; linear	NS 16; linear																	
Up to 10 L/min = 5L	Up to 50 L/min = 50L																	
Up to 10 L/min = 10L	Up to 60 L/min = 60L																	
Up to 16 L/min = 16L	Up to 80 L/min = 80L																	
Up to 25 L/min = 25L	Up to 100 L/min = 100L																	
Up to 35 L/min = 35L	Up to 160 L/min = 160L																	
<p>NS 10; progressive</p> <p>Up to 16 L/min = 16Q</p> <p>Up to 25 L/min = 25Q</p>																		
<p>No code = NBR seals</p> <p>V = FKM seals</p> <p>J = Sea water resistant</p> <p>No code = Without pressure compensator – stroke limiter</p> <p>B = With pressure compensator – stroke limiter</p>																		

Preferred types

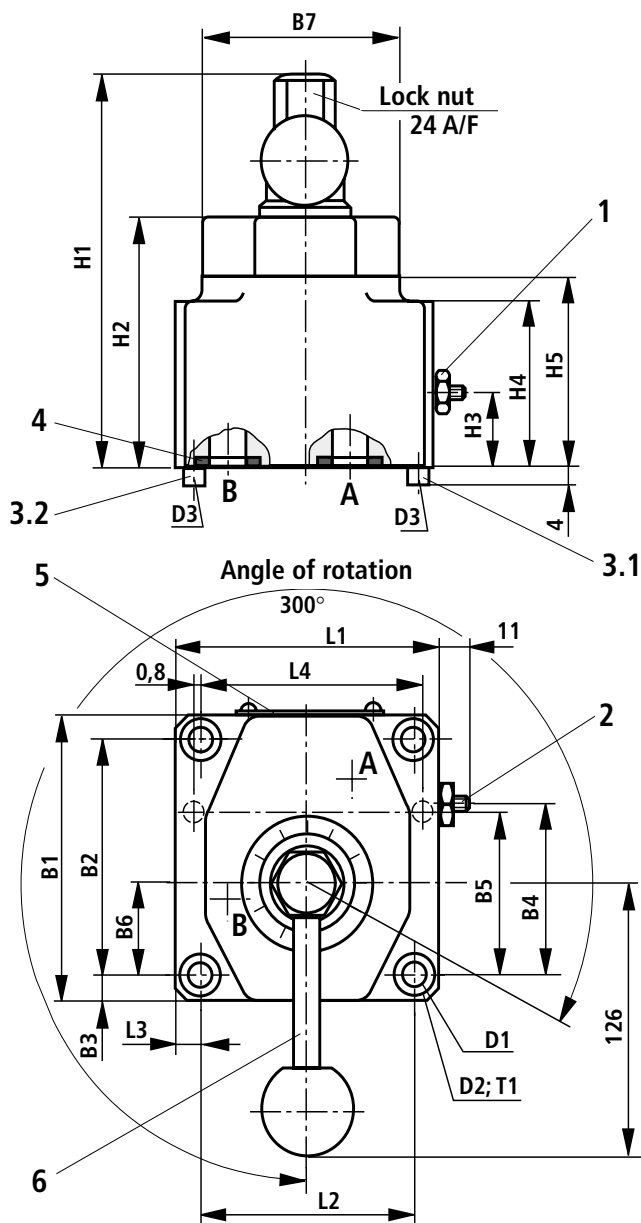
Preferred types	
Type	Material number
2FRM 10-3X/10LBJ	00448303
2FRM 10-3X/10LJ	00344343
2FRM 10-3X/16LBJ	00354594
2FRM 10-3X/16LJ	00499624
2FRM 10-3X/16LJV	00362811
2FRM 10-3X/16QJ	00344318
2FRM 10-3X/25LBJ	00389455
2FRM 10-3X/25LJ	00494447
2FRM 10-3X/25LJV	00331067
2FRM 10-3X/25QJV	00451502
2FRM 10-3X/35LBJ	00497430
2FRM 10-3X/35LJ	00586236
2FRM 10-3X/35LJV	00584877

Preferred types	
Type	Material number
2FRM 10-3X/5LBJ	00488841
2FRM 10-3X/50LBJ	00411045
2FRM 10-3X/50LBJV	00533609
2FRM 10-3X/50LJ	00466286
2FRM 16-3X/100LBJ	00411378
2FRM 16-3X/100LJ	00433570
2FRM 16-3X/160LBJ	00416601
2FRM 16-3X/160LBJV	00534016
2FRM 16-3X/160LJ	00463601
2FRM 16-3X/60LBJ	00411046
2FRM 16-3X/60LJ	00498326
2FRM 16-3X/80LJ	00414597

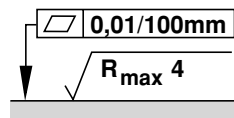
Unit dimensions: type FRM / mech. actuation lever with knob

(Dimensions in mm)

NS 10 and NS 16



Dim.	NS 10	NS 16
B1	101.5	123.5
B2	82.5	101.5
B3	9.5	11.0
B4	58.8	70.5
B5	58.7	72.9
B6	35.5	41.5
B7	80	80
D1	9	11
D2	15	18
D3	6	6
H1	137	159
H2	81	103
H3	26	34
H4	51	72
H5	58	80
L1	95	123.5
L2	76	101.5
L3	9.5	11
L4	79.4	102.4
T1	13	12



Required surface finish of mating piece

- 1 Hexagon 10 A/F
- 2 Internal hexagon 3 A/F
- 3.1 Locating pin (NS 10 and NS 16)
- 3.2 Locating pin (NS 16)
- 4 R-ring 18.64 x 3.53 x 3.53 (NS 10)
R-ring 26.58 x 3.53 x 3.53 (NS 16)
- 5 Name plate
- 6 Lever with knob

Subplates to catalogue sheet RE 45 066.

Subplates for:

- Nom. size 10 G 279/01 (G 1/2)
G 280/01 (G 3/4)
- Nom. size 16 G 281/01 (G 1)
G 282/01 (G 1 1/4)

Notes

Mannesmann Rexroth AG
Rexroth Hydraulics

D-97813 Lohr am Main
Jahnstraße 3-5 • D-97816 Lohr am Main
Telefon 0 93 52 / 18-0
Telefax 0 93 52 / 18-23 58 • Telex 6 89 418-0
eMail product.support@rexroth.de
Internet www.rexroth.com

Mannesmann Rexroth Limited

Cromwell Road, St Neots,
Cambs, PE19 2ES
Tel: 0 14 80/22 32 56
Fax: 0 14 80/21 90 52
E-mail: info@rexroth.co.uk

The specified data is for product description purposes only and may not be deemed to be guaranteed unless expressly confirmed in the contract.

All rights reserved – Subject to revision
