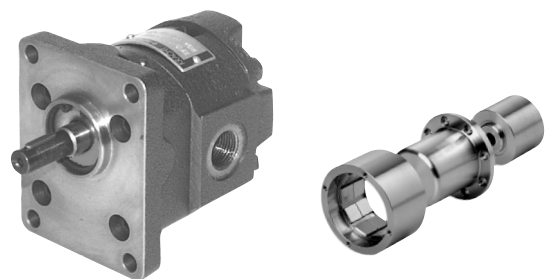


KRACHT



Transfer Gear Pumps

KF 0

KF 0 with magnetic coupling

Contents

Contents	2
Description KF 0	3
Characteristics	4
Working characteristics	4
Available pump types	4
Technical data	5
Discharge flow / Input power	5
Type key KF 0	6
Construction	7
Dimensions spezial number 100	8
Dimensions spezial number 107	9
Dimensions spezial number 212	10
Accessory couplings	11
Accessory bell housing	12
Description KF 0 with magnetic coupling	13
Characteristics	13
Working characteristics	13
Magnetic coupling materials	14
Magnetic coupling torques	14
Selection assistance	14
Type key KF 0 with magnetic coupling	15
Product portfolio	16

Description

KF 0 – a pump for process engineering.

In numerous technical processes dosing liquids is the focus of the task. PUR components, softeners, resins, lacquers, paints are just some of the most important liquids with a broad application range.

The accuracy, evenness and reproducibility with which these products can be processed are also decisive for the quality of the final product.

The KRACHT transfer gear pump size KF 0 is especially suitable for these applications.

The KF 0 is an external gear pump with flow rates of 0.5 cm³/r to 4 cm³/r.

The grading of the total of 8 nominal sizes makes it easier to set the desired dosing ratios.

The fine gearing with a high number of teeth guarantees a low-pulsation volume flow.

All gear parts and the bearing bushes are protected even in the standard design by a special coating against wear and corrosion, so that even filled media up to a specific grain size and hardness of the filled material can be conveyed. Because of the backlash dimensioning in combination with precise production the KF 0 has very good volumetric efficiency over a wide pressure range.

Various types of seals, such as rotary shaft seals and double rotary shaft seals can be selected depending on the task, whereby the latter version enables operations with a water seal (quench chamber) to prevent the pumping medium from hardening or crystallising.

In combination with a KRACHT gear type flow meter and the KRACHT electronics the KF 0 can be extended to a highly precise dosing unit.

Characteristics

Fixing type	flange	
Pipe connection	threaded ports	
Direction of rotation	clockwise or anticlockwise	
Mounting position	arbitrary (see dim. sheets)	
Weight	kg	2.2

Working Characteristics

Displacement (cm ³ /r)	V _G	0.5 / 0.8 / 1.0 / 1.6 / 2.0 / 2.5 / 3.0 / 4.0
Working pressure Inlet port	p _{e min} p _{e max}	-0.4 bar (-0.6 bar short for starting status) 2 bar
Working pressure Outlet port	p _{n min}	120 bar (depending on the pumping medium, viscosity and displacement)
Speed	n	3000 1/min (dependent by viscosity)
Viscosity	v _{min} v _{max}	= 10 mm ² /s = 20 000 mm ² /s
Media temperature	ϑ _{m max}	= 90 °C NBR = 150 °C FKM = 200 °C PTFE (rotary shaft seal)
Ambient temperature	ϑ _{u min} ϑ _{u max}	= -20 °C = 60 °C

Available Pump Types

Pump type	Available sizes	Housing material	Bearing	Bearing material	Gear	Shaft seal	Non-ferrous metals
KF0/.../100	0.5 / 0.8 / 1.0 / 1.6 / 2.0 / 2.5 / 3.0 / 4.0	EN-GJL-250	Bearing bush	Steel ETG 100, chemically nickel plated with SiC inclusions	Steel 1.7139 chemically nickel plated with SiC inclusions	Rotary shaft seal NBR, FKM, PTFE	yes
KF0/.../107	0.5 / 0.8 / 1.0 / 1.6 / 2.0 / 2.5 / 3.0 / 4.0	EN-GJL-250	Bearing bush	Steel ETG 100, chemically nickel plated with SiC inclusions	Steel 1.7139 chemically nickel plated with SiC inclusions	Double rotary shaft seal NBR, FKM, PTFE	yes
KF0/.../212	0.5 / 1.0 / 2.0 / 4.0	EN-GJS-600 nitro carbonized; Flange cover EN-GJS-600 tenifer nitrided	Bearing bush	Steel ETG 100, chemically nickel plated with SiC inclusions	Tool steel, nitrided	Double rotary shaft seal FKM, FEP	yes

Technical Data max. permissible working pressure in dependence on viscosity

Nominal size	Permissible working pressure in bar for viscosity			
	10 mm ² /s	30 mm ² /s	100 mm ² /s	> 500 mm ² /s
0.5	10	30	50	60
0.8	15	40	60	70
1.0	15	40	60	70
1.6	20	60	80	100
2.0	20	60	80	100
2.5	30	60	100	120
3.0	30	60	100	120
4.0	40	80	120	120

The values are valid for the speed range n = 1000 ... 3000 1/min.

Then max. working pressures must be reduced for speeds < 1000 1/min

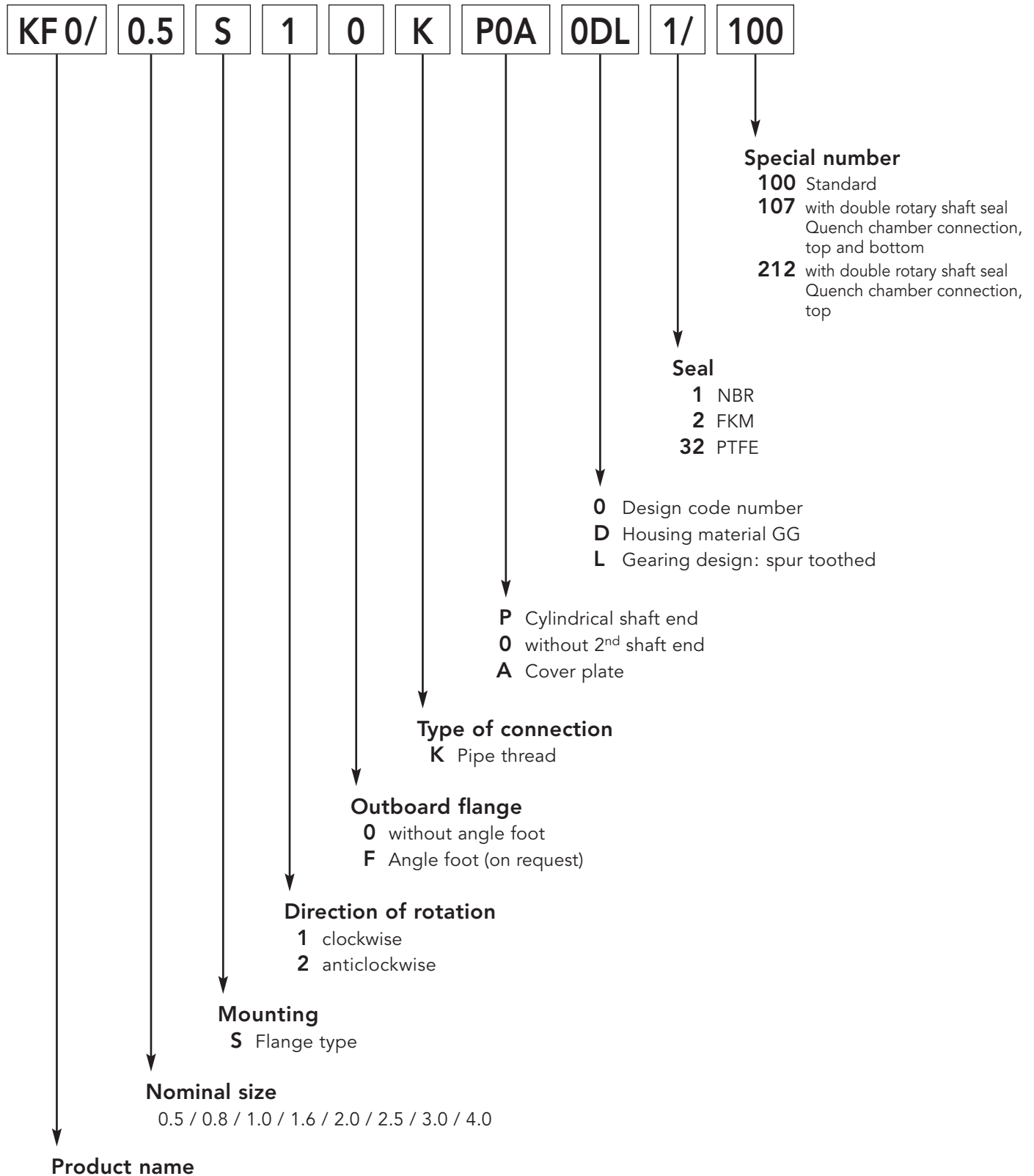
Discharge Flow / Input Power

Speed n = 1450 1/min / Viscosity = 34 mm ² /s																		
	Pressure p in bar								Nominal size	Pressure p in bar								
	5	10	20	40	60	80	100	120		5	10	20	40	60	80	100	120	
Discharge flow Q in l/min	0.7	0.6	0.5	-	-	-	-	-	0.5	0.06	0.07	0.09	-	-	-	-	-	Input power P in KW
	1.1	1.1	1.0	0.8	-	-	-	-	0.8	0.06	0.08	0.11	0.17	-	-	-	-	
	1.4	1.3	1.3	1.1	-	-	-	-	1.0	0.07	0.08	0.12	0.19	-	-	-	-	
	2.2	2.2	2.0	1.8	1.5	-	-	-	1.6	0.08	0.12	0.18	0.31	0.45	-	-	-	
	2.8	2.7	2.6	2.3	2.0	-	-	-	2.0	0.09	0.13	0.20	0.35	0.50	-	-	-	
	3.5	3.4	3.3	3.0	2.7	-	-	-	2.5	0.09	0.14	0.22	0.39	0.55	-	-	-	
	4.2	4.2	4.0	3.7	3.5	-	-	-	3.0	0.10	0.15	0.24	0.42	0.60	-	-	-	
	5.6	5.5	5.4	5.0	4.7	4.3	-	-	4.0	0.12	0.17	0.29	0.53	0.76	0.99	-	-	

Speed n = 1450 1/min / Viscosity = 120 mm ² /s																		
	Pressure p in bar								Nominal size	Pressure p in bar								
	5	10	20	40	60	80	100	120		5	10	20	40	60	80	100	120	
Discharge flow Q in l/min	0.7	0.7	0.6	0.5	-	-	-	-	0.5	0.06	0.07	0.09	0.12	-	-	-	-	Input power P in KW
	1.1	1.1	1.1	1.0	0.9	-	-	-	0.8	0.06	0.08	0.10	0.16	0.21	-	-	-	
	1.4	1.4	1.4	1.3	1.2	-	-	-	1.0	0.08	0.09	0.12	0.17	0.23	-	-	-	
	2.3	2.2	2.2	2.1	2.0	1.8	-	-	1.6	0.08	0.11	0.16	0.27	0.38	0.50	-	-	
	2.8	2.8	2.8	2.7	2.6	2.5	-	-	2.0	0.09	0.12	0.20	0.34	0.49	0.64	-	-	
	3.5	3.5	3.4	3.3	3.2	3.0	2.9	-	2.5	0.09	0.14	0.22	0.38	0.55	0.71	0.88	-	
	4.2	4.2	4.2	4.1	3.9	3.8	3.7	-	3.0	0.10	0.15	0.24	0.43	0.61	0.80	0.98	-	
	5.7	5.6	5.6	5.5	5.3	5.2	5.0	4.9	4.0	0.12	0.17	0.29	0.53	0.76	0.99	1.23	1.46	

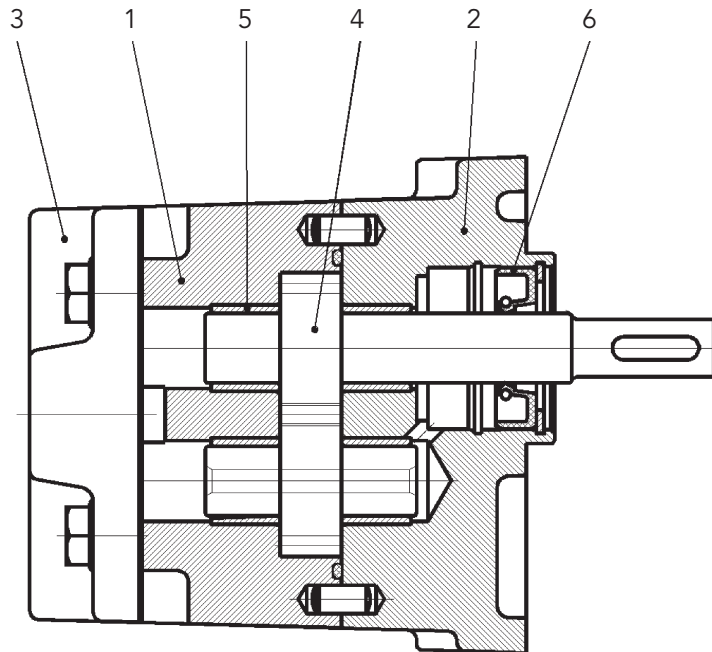
Type Key

Ordering example



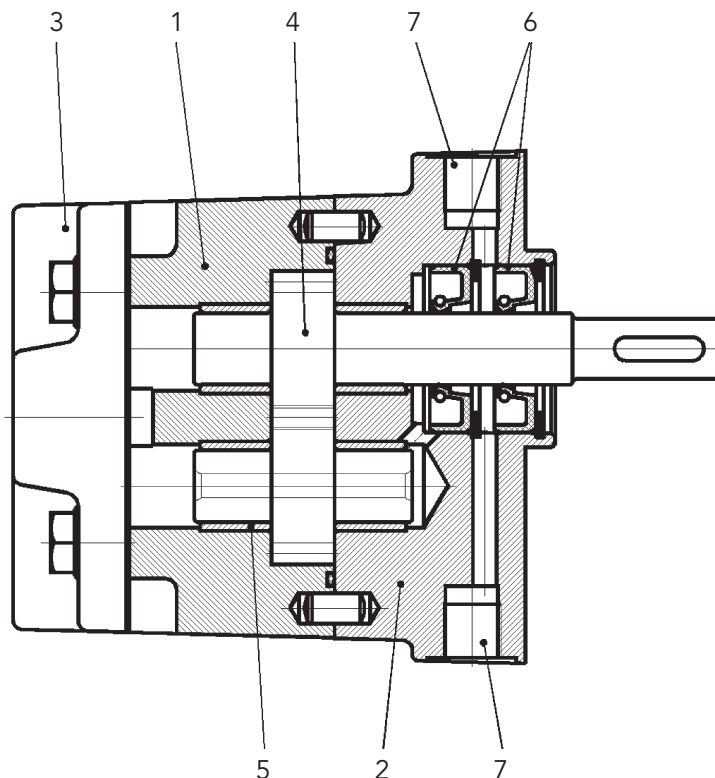
Construction

Flange pump with rotary shaft seal



- 1 Housing
- 2 Flange cover
- 3 Cover plate
- 4 Gearing
- 5 Bearing bush
- 6 Rotary shaft seal

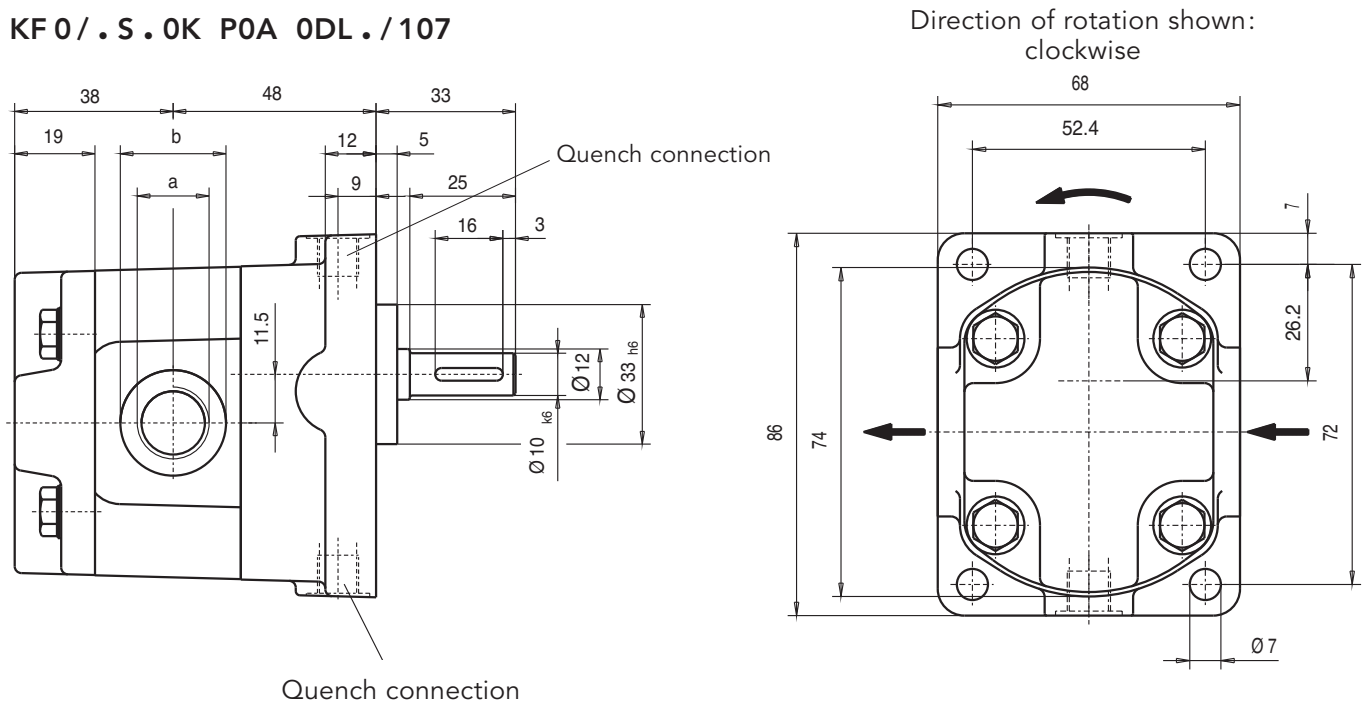
Flange pump with double rotary shaft seal and threaded Connection for quench chamber



- 1 Housing
- 2 Flange cover
- 3 Cover plate
- 4 Gearing
- 5 Bearing bush
- 6 Double rotary shaft seal
- 7 Connection for quench chamber

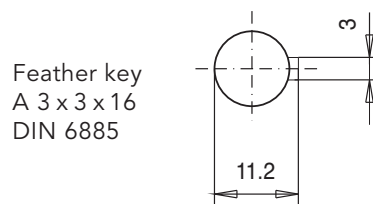
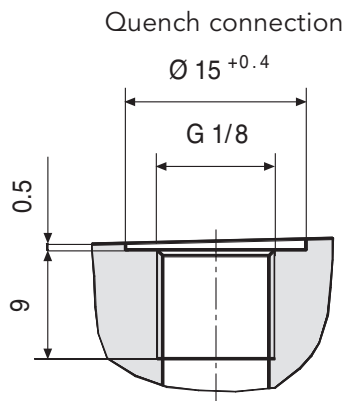
Dimensions Special Number 107 (in mm)

KF 0 / . S . 0K P0A 0DL . / 107



Mounting position: quench connection

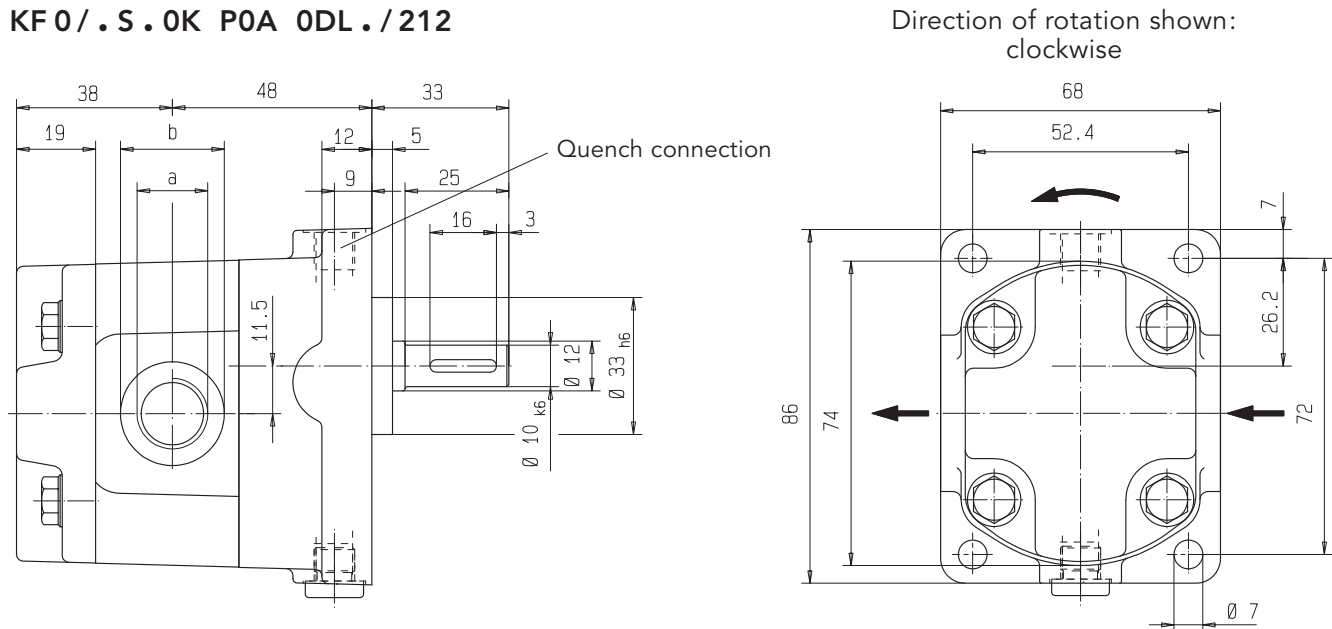
Suction and pressure connection are the same size



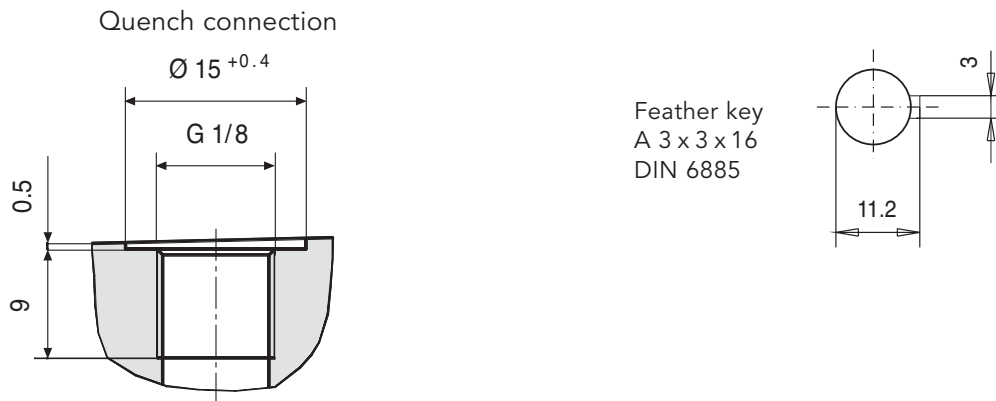
V _g cm ³ /r	Flow volume / nominal size							
	0.5	0.8	1.0	1.6	2.0	2.5	3.0	4.0
a	G 3/8 – 13 deep			G 1/2 – 15 deep				
b	25			29				

Dimensions Special Number 212 (in mm)

KF 0 / . S . 0K P0A 0DL . / 212

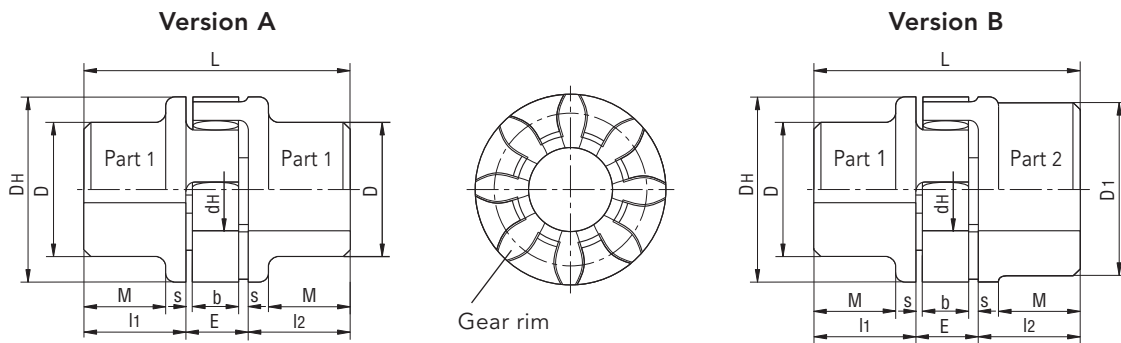


Suction and pressure connection are the same size



Vg cm ³ /r	Flow volume / nominal size			
	0.5	1.0	2.0	4.0
a	G 3/8 – 13 deep		G 1/2 – 15 deep	
b	25		29	

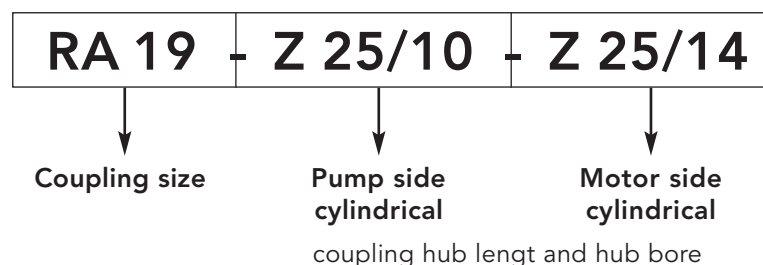
Accessory Couplings



	Ordering code	Coupling size	Hub material (AL)		Finished bore				Dimensions (in mm)									
			Weight kg	Moment of inertia kgm ²	min.		max.		l1/l2	E	s	b	L	M	DH	D	D ₁	dh
Version A	RA 14-Z 11/...-Z 11/..	14	0.045	0.000006	6	-	16	-	11	13	1,5	10	35	-	30	30	-	10
	RA 19-Z 25/...-Z 25/..	19	0.117	0.000023	6	-	19	-	25	16	2	12	66	20	41	32	-	18
Version B	RA 19/24-Z 25/...-Z 25/..	19/24	0.129	0.000033	6	19	19	24	25	16	2	12	66	20	41	32	41	18
	RA 24/28-Z 30/...-Z 30/..	24/28	0.29	0.00014	9	24	22	28	30	18	2	14	78	24	56	40	56	27

Type Key KF Coupling

Ordering example

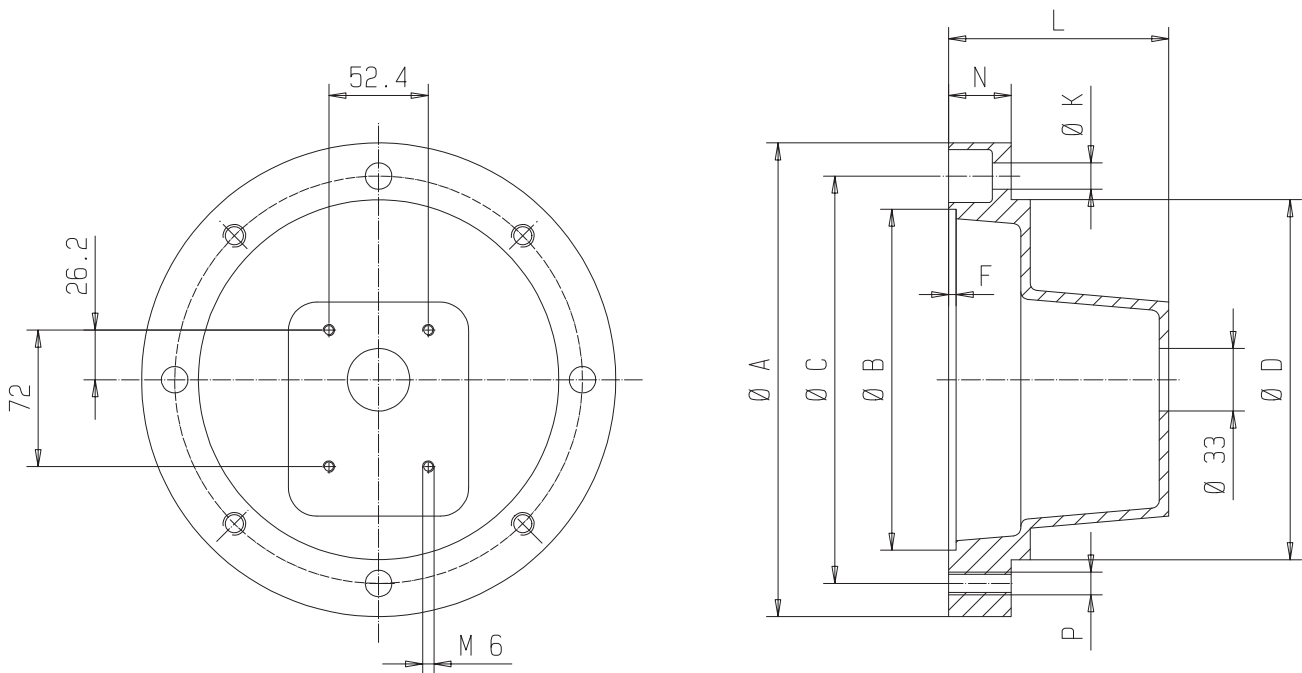


Working temperature:
 -20 °C to +80 °C (-4 °F to 176 °F)
 (short duration temperature peaks up to 120 °C / 248 °F are permissible).

Weights and mass moments of inertia refer to max. finish machined bore without slot.
 Finish-machined bores to ISO Fit H7,
 parallel key slots in accordance with DIN 6886 Sh.1.

Accessory Bell Housing

KF 0 Aluminum bell housing



Motor size	Bell housing	Coupling	Dimensions (in mm)									Weight kg
			A	B	C	D	F	K	L	N	P	
63	Z0/140/70	RA14-Z11/10-Z11/11	140	95	115	95	4	9	70	17	M8	0.36
71 S 71	Z0/160/80	RA19-Z25/10-Z25/14	160	110	130	110	4	9	80	13	M8	0.49
80 S 80	Z0/200/90	RA19-Z25/10-Z25/19	200	130	165	145	5	11	90	16	M10	0.6
90 S 90 L	Z0/200/100	RA19/24-Z25/10-Z25/24	200	130	165	145	4	11	100	27	M10	1.345
100 LS 100 L 112 M	Z0/250/116	RA24/28-Z30/10-Z30/28	250	180	215	190	4	14	116	33	M12	1.4

Description

With various applications conventional seals come up against their limits. Typical applications can be found in PUR plants, refrigerating installations and vacuum plant. It is possible to fit the KF 0 with a magnetic coupling for these applications.

The magnetic coupling serves as a shaft seal and to transmit the torque. The outer rotor of the magnetic coupling is placed on the motor shaft and the inner rotor directly on the pump shaft. The torque is transmitted between the outer and inner rotors through the magnetic forces.

The split case, which seals the pump hermetically, is located between the two rotors.

The magnetic coupling is used if an absolutely tight seal is required between the pump chamber and the atmosphere, e.g. for dosing isocyanate, where contact with the air would lead to an undesired hardening of the medium. It can be used in vacuum operations, e.g. filling brake liquid, and reliably prevents air penetrating into the system.

Non-leak operations are also guaranteed when used in sealed systems with a high admission pressure on the pump suction side.

The magnetic coupling is predestined for dosing hazardous and harmful media.

Characteristics

Fixing typ	flange
Pipe connection	threaded ports
Direction of rotation	clockwise or anticlockwise
Mounting	arbitrary

Working Characteristics

Displacement (cm ³ /r)	V _g	0.5 / 0.8 / 1.0 / 1.6 / 2.0 / 2.5 / 3.0 / 4.0
Working pressure Inlet port	Working	p _{e min} -0.4 bar, vacuum facility -0.92 bar p _{e max} 16 bar (SS1)
	Standstill	p _{e min} -1 bar p _{e max} 16 bar (SS1)
Working pressure Outlet port	p _{n max}	25 bar (SS1)
Speed	n	3000 1/min (affected by viscosity)
Viscosity	v _{min}	= 10 mm ² /s
	v _{max}	= 20 000 mm ² /s
Media temperature	ϑ _{min}	= -10 °C
	ϑ _{max}	= 150 °C FKM, magnet material SmCo
Ambient temperature	ϑ _{u min}	= -20 °C
	ϑ _{u max}	= 60 °C

Materials

Pump	Pump housing	GG 25, DIN 1691
	Gearing	Steel 1.7139 chemically nickel plated with SiC inclusions
	Bearing bushes	Steel ETG 100 chemically nickel plated with SiC inclusions
	Seal	FKM
Magnetic coupling	Inner rotor	Stainless steel 1.4571
	Split case	Stainless steel 1.4571
	Outer rotor	355J2F3 (St 52)
	Magnets	Sm2Co17

Magnetic Coupling Torques

MSA 46/6	3 Nm
MSA 60/8	7 Nm
MSB 60/8	14 Nm

Selection Assistance

Pump	Coupling size	Stat. cut-off torque at 20 °C [Nm]	permitted power consumption [kW] at n = 750 1/min	Motor size	permitted power consumption [kW] at n = 950 1/min	Motor size	permitted power consumption [kW] at n = 1450 1/min	Motor size
KF 0	MSA 46	3	–	–	0.18	71	0.25	71
			0.18	80	0.25	80	0.37	80
	MSA 60	7	0.25	90	0.37	90	0.55	90
			0.37	90	0.55	90	0.75	90
	MSB 60	14	0.55	100	0.75	90	1.1	90
			0.75	100	1.1	90	1.1	90

The values stated in the table refer to a maximum media temperature of 80 °C.

At media temperatures > 80 °C are to be selected if necessary stronger magnetic couplings.

To design the magnetic coupling, the following information needs to be available:

- Pump size
- Pump pressure (working and starting pressure)
- Working and starting viscosity
- Precise name of media – required static seals (if possible) – possibly main media characteristics
- Drive motor power
- Speed or speed range
- Switch on type – direct or with frequency inverter
- Media and ambient temperature

Product Portfolio

Transfer Pumps

Transfer pumps for lubricating oil supply equipment, low pressure filling and feed systems, dosing and mixing systems.

Mobile Hydraulics

Single and multistage high pressure gear pumps, hydraulic motors and valves for construction machinery, vehicle-mounted machines.

Flow Measurement

Gear and turbine flow meters and electronics for volume and flow metering technology in hydraulics, processing and laquering technology.

Industrial Hydraulics / Test Bench Construction

Cetop directional control and proportional valves, hydraulic cylinders, pressure, quantity and stop valves for pipe and slab construction, hydraulic accessories for industrial hydraulics (mobile and stationary use).

Technology Test benches / Fluid Test benches.



KF0-KF0 with magn. coupl./GB/11.11

KRACHT