

Return Line Filters ▪ Type RFS


Product Description

STAUFF RFS Carbon Steel Return Line Filters are designed as tank top or in-line filters. They are mounted directly on the tank top and if 100% of the system oil is filtered, they provide the optimum removal of contaminants from the system. This provides the pump with clean oil thus reducing contaminant generated wear. The filter bowl is designed with a connection, threaded or flanged, for extending the return oil beneath the surface thus preventing the entrainment of air. A high efficiency of contaminant removal is assured by using STAUFF RE Replacement Filter Elements. The high dirt-hold capacity of STAUFF Elements ensures a long service life and as a result reduced maintenance costs.

Technical Data
Construction

- Tank Top mounting or in-line mounting

Materials

- Filter Housing: Carbon Steel
- Sealings: NBR (Buna-N®)
FPM (Viton®)
EPDM (Ethylene Propylene Diene Monomer Rubber)
Other sealing materials on request

Port Connection

- BSP
- SAE flange 3000 PSI

Flow Rating

- Up to 1135 l/min / 300 US GPM

Operating Pressure

- Max. 25 bar / 365 PSI

Proof Pressure

- Min. 37,5 bar / 545 PSI

Temperature Range

- -10°C ... +100°C / +14°F ... +212°F

Filter Elements

- Specifications see page C94

Media Compatibility

- Mineral oils, other fluids on request

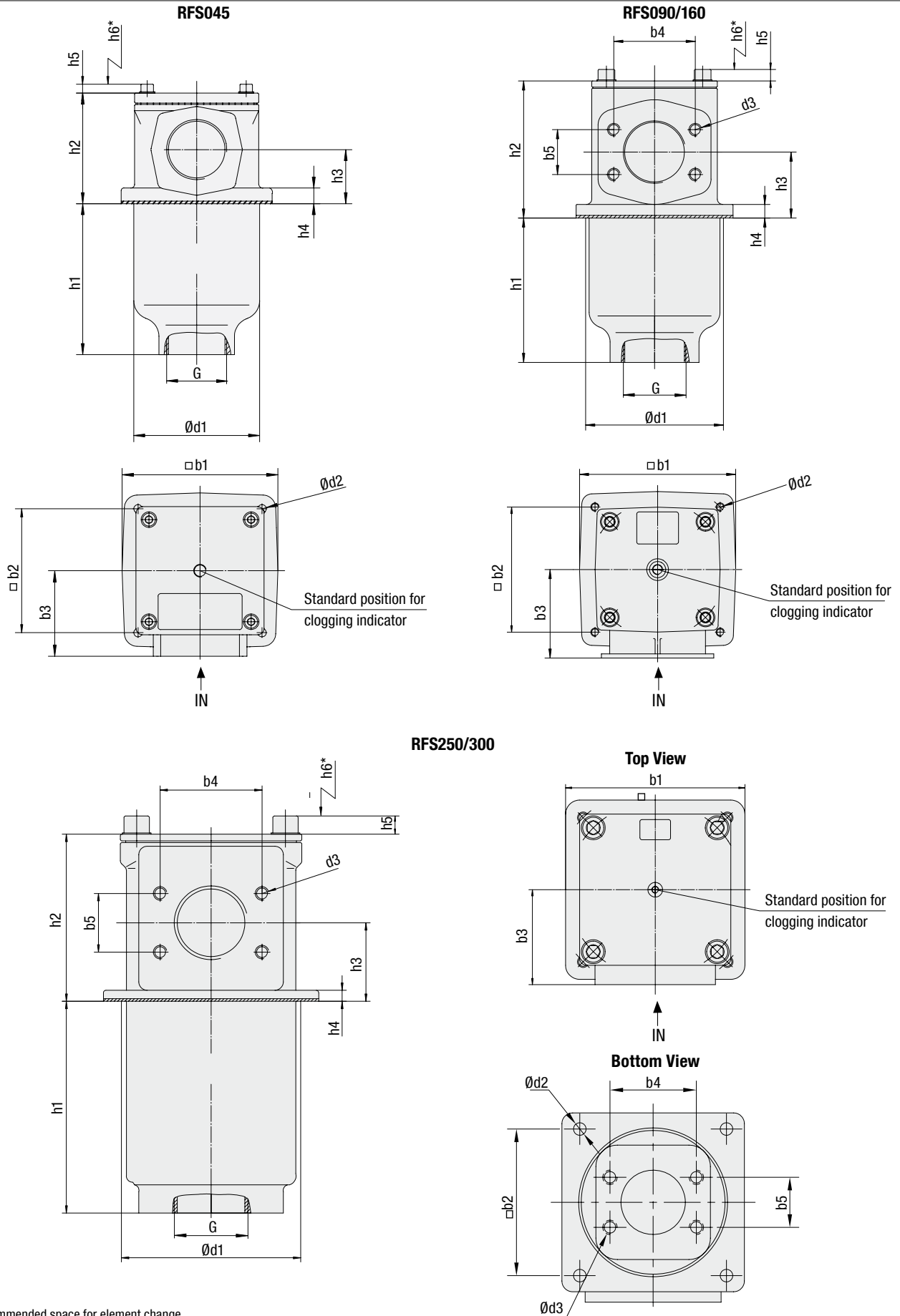
Options and Accessories
Valves

- Bypass valve
(integrated in the filter element)
- Opening pressure 3 bar ± 0,3 bar / 43.5 PSI ± 4.35 PSI
Other settings available on request

Clogging Indicators

- Visual clogging indicator 0...4 bar / 0...58 PSI coloured segments
- Electrical clogging switch, setting 2,5 bar / 36.25 PSI
Other clogging indicators available on request

Return Line Filters - Type RFS



* recommended space for element change

Return Line Filters ▪ Type RFS

Thread Connection		Filter Size RFS				
		045	090	160	250	300
Inlet	BSP	1-1/2	2	-	-	-
	SAE Flange	-	2	3	3-1/2	4
Outlet G	BSP	1-1/2	2	3	-	-
	SAE Flange	-	-	-	3-1/2	4

Dimensions (mm/in)	Filter Size RFS				
	045	090	160	250	300
b1	120	150	196	255	255
	4.72	5.91	7.72	10.04	10.04
b2	95,5	120	155,5	205	205
	3.76	4.72	6.12	8.07	8.07
b3	66	85	110	135	145
	2.60	3.35	4.33	5.32	5.71
b4	-	77,8	106,4	120,7	130,2
	-	3.06	4.19	4.75	5.13
b5	-	42,9	61,9	69,5	77,8
	-	1.69	2.44	2.74	3.06
d1	100	135	180	208	208
	3.94	5.32	7.09	8.19	8.19
d2	6,5	9	13,5	17,5	17,5
	.26	.35	.53	.69	.69
d3	-	M12	M16	M16	M16
	-	1/2-UNC	5/8-UNC	5/8 UNC	5/8 UNC
h1	120	138	243	251	332
	4.72	5.43	9.57	9.88	13.07
h2	88	131	167	198	241
	3.47	5.16	6.57	7.80	9.49
h3	43	63	84	93	121
	1.69	2.48	3.31	3.66	4.76
h4	13	13	13	13	13
	.51	.51	.51	.51	.51
h5	7	12	12	12	12
	.28	.47	.47	.47	.47
h6	130	180	320	350	460
	5.11	7.09	12.60	13.78	18.11