

Return Line Filters ▪ Type RFB


Product Description

STAUFF RFB Return Line Filters are designed as tank top filters. They are mounted directly on the tank top and if 100% of the system oil is filtered they provide the optimum removal of contaminant from the system. This provides the pump with clean oil thus reducing contaminant generated wear. Because of its low weight and compact design, the STAUFF RFB Filters are ideally suited for mobile hydraulic applications. A high efficiency of contaminant removal is assured by using STAUFF RE Replacement Filter Elements. The high dirt-hold capacity of STAUFF Elements ensures a long service life and as a result reduced maintenance costs.

Technical Data
Construction

- Tank Top flange mounting

Materials

- Filter head: Aluminium
- Filter bowl & cap: Glass Fibre Reinforced Polyamide
- Sealings: NBR (Buna-N®)
FPM (Viton®)
EPDM (Ethylene Propylene Diene Monomer Rubber)
Other sealing materials on request

Port Connection

- BSP
- NPT
- SAE O-ring thread

Operating Pressure

- Max. 10 bar / 145 PSI

Temperature Range

- -10°C ... +100°C / +14°F ... +212°F

Filter Elements

- Specifications see page C88

Media Compatibility

- Mineral oils, other fluids on request

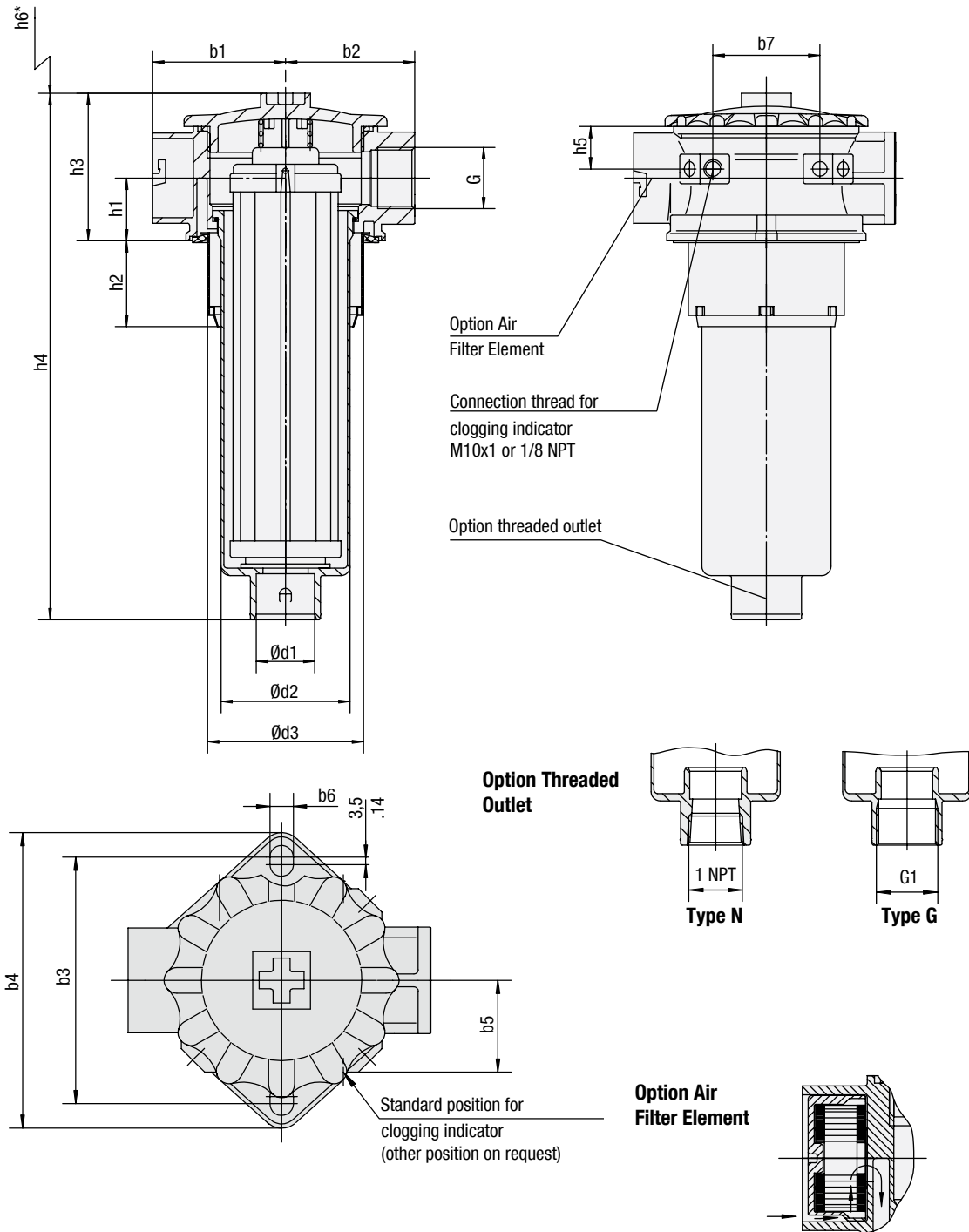
Options and Accessories
Valve

- Bypass valve (integrated in the filter element) Opening pressure 3 bar \pm 0,3 bar / 43.5 PSI \pm 4.35 PSI
Other settings available on request

Clogging Indicators

- Visual clogging indicator 0 ... 4 bar / 0 ... 58 PSI coloured segments
- Electrical clogging switch, setting 2,5 bar / 36.25 PSI
Other clogging indicators available on request

Return Line Filters - Type RFB



* recommended space for element change

Return Line Filters - Type RFB

Thread Connection G	Filter Size RFB					
	022		046		052	
BSP	3/4	1	3/4	1	3/4	1
NPT	3/4	1	3/4	1	3/4	1
SAE O-ring Thread	1-5/16-12					

Dimensions (mm/in)	Filter Size RFB					
	022		046		052	
h1	34		34		34	
	1.34		1.34		1.34	
h2	46,5		46,5		46,5	
	1.83		1.83		1.83	
h3	80		80		80	
	3.15		3.15		3.15	
h4	205,5		285,5		351,5	
	8.09		11.24		13.84	
h5	23		23		23	
	.91		.91		.91	
h6	154		239		305	
	6.26		9.41		12.01	
d1	32		32		32	
	1.26		1.26		1.26	
d2	70		70		70	
	2.76		2.76		2.76	
d3	84,5		84,5		84,5	
	3.33		3.33		3.33	
b1	72		72		72	
	2.84		2.84		2.84	
b2	70		70		70	
	2.76		2.76		2.76	
b3	115,5		115,5		115,5	
	4.55		4.55		4.55	
b4	138,5		138,5		138,5	
	5.45		5.45		5.45	
b5	43		43		43	
	1.69		1.69		1.69	
b6	11		11		11	
	.43		.43		.43	
b7	58		58		58	
	2.28		2.28		2.28	